

BASE RACK FITTING INSTRUCTION

Part Number: 1780290
Product Description: **BASE RACK Jack Holder HiLift® Basic**

WARNING

- ◆ The ARB BASE RACK system has a maximum capacity of 25kg per cross slat. Exceeding this limit may result in damage or failure
- ◆ This product has been designed for use with HiLift® brand jacks, alternate brands may have compromised fit
- ◆ This product must be installed exactly as per these instructions using only the hardware supplied
- ◆ Do not use this product for any product, other than those specified by ARB
- ◆ This product or its fixing must not be modified in any way
- ◆ These instructions are correct as at the publication date
- ◆ During installation, it is the duty of the installer to check correct operation/clearances of all components
- ◆ Work safely at all times
- ◆ Unless otherwise instructed, tighten fasteners to specified torque
- ◆ Fastener torques are to be checked at regular intervals

ARB 4x4 ACCESSORIES

Corporate Head Office

www.arb.com.au

42-44 Garden St
Kilsyth, Victoria
AUSTRALIA 3137

Tel: +61 (3) 9761 6622
Fax: +61 (3) 9761 6807

Australian enquiries
North & South American enquiries
Other international enquiries

sales@arb.com.au
sales@arbusa.com
exports@arb.com.au

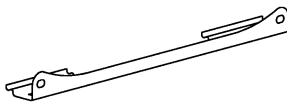
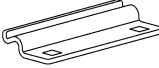
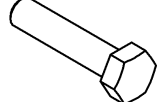







REQUIRED TOOLS FOR FITMENT OF PRODUCT:

13mm Spanner/Wrench	15mm Spanner/Wrench
16mm Spanner/Wrench	

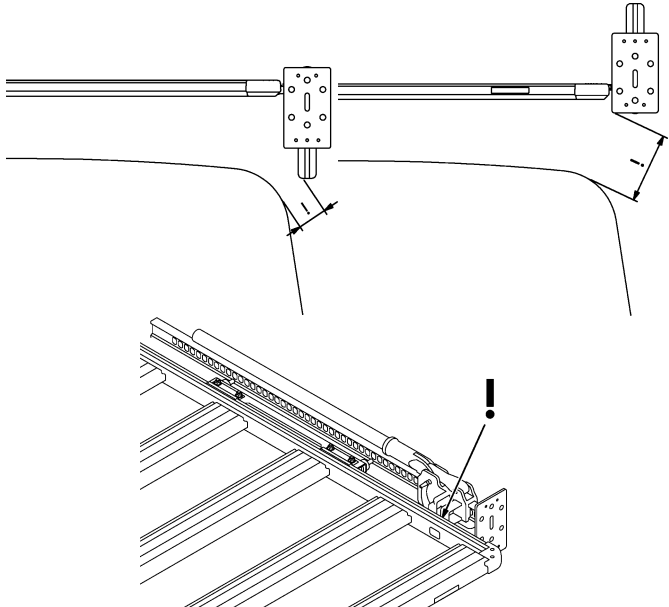
FASTENER TORQUE SETTINGS:

SIZE	Torque Nm	Torque lbft
M8	22Nm	16lbft
M10	44Nm	32lbft

PARTS LISTING

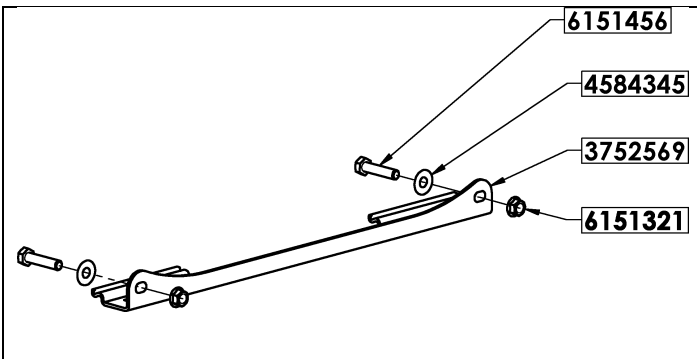
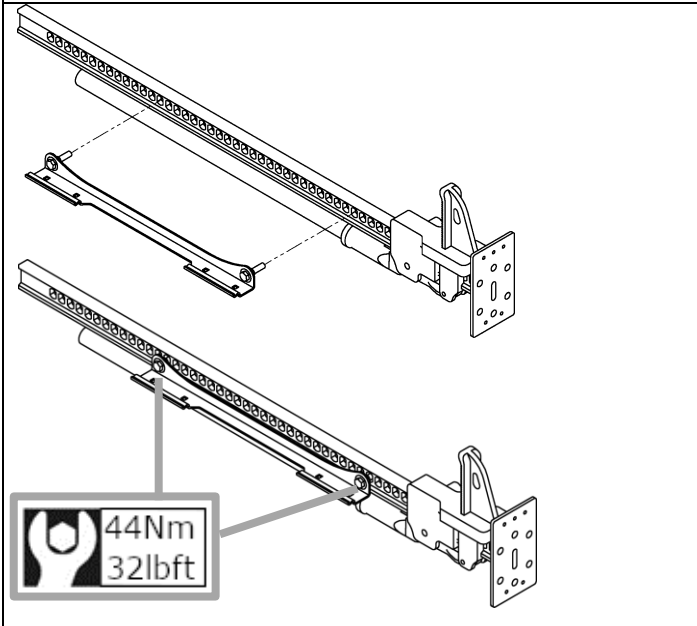
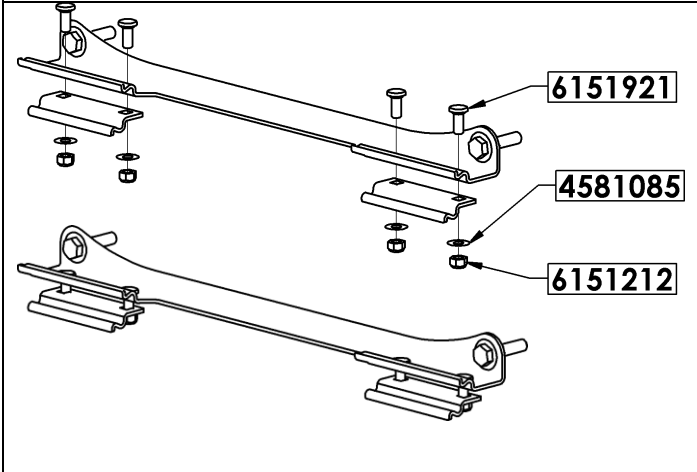
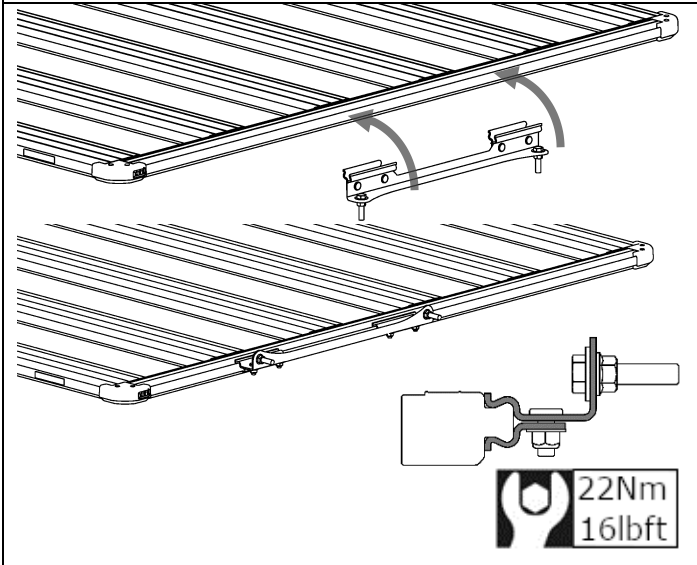
APPLICATION.	PART NO.	QTY	DESCRIPTION
	3752569	1	BRKT RT HJACK BASIC
	3752562	2	BRKT RT ACC CLAMP 100MM
	6151456	2	SCREW HXHD M10x1.5x45 PC8.8
	6151321	2	NUT FLANGE M10x1.5 SERRATED
	4584345	4	WASHER M10x26
	6260009	2	RUBBER SPACER BUSH
	6151921	4	BOLT COHD M8x20 PC8.8
	6151212	4	NUT NYLOC M8 BLACK
	4581085	4	WASHER M8x19x1.2mm BLACK
	6151942	2	M10 EYE NUT FORGED

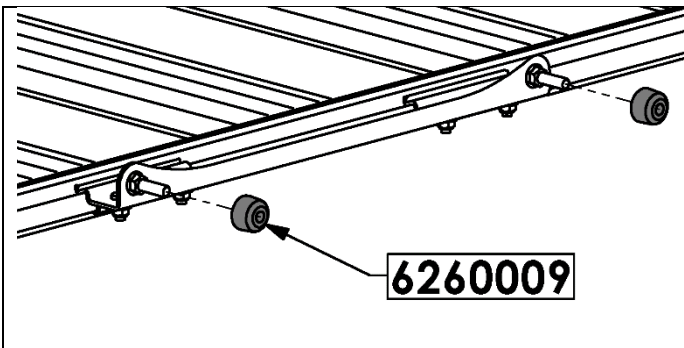
FITTING PROCEDURE



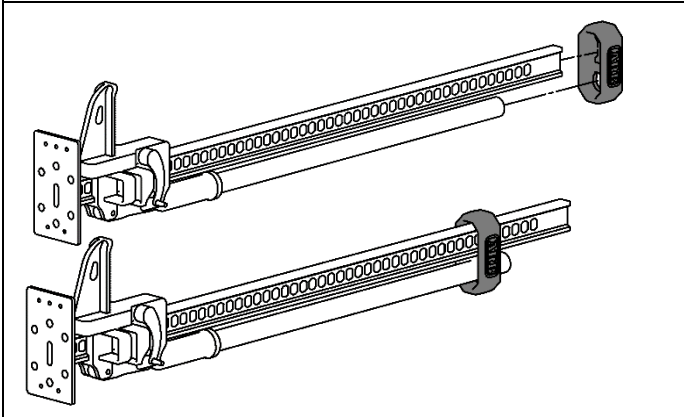
1. Plan Jack orientation, location and bracket flange direction
 - On side or rear of the rack
 - Handle up or down
 - Base at front or back
 - Bracket flange up or down
2. Check clearances
 - Check clearance distance to vehicle panels
 - Check door opening
 - Check window opening

! Note: the climbing pin and lever mechanism must always face away from the rack

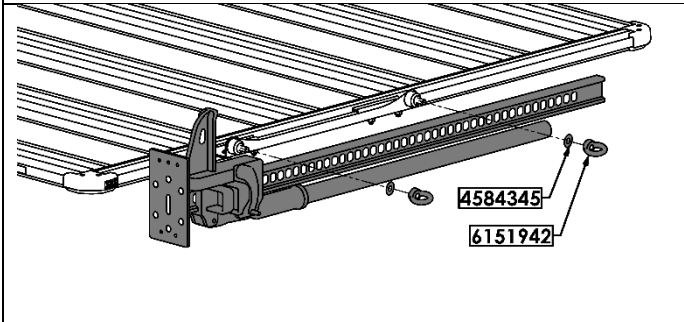
	<p>3. Loosely fit an M10 bolt, washer and nut to each of the 10mm slots</p>
	<p>4. Set the bolt pitch by feeding bolts through the holes in the jack</p> <p>5. Tighten bolts to specified torque. Remove jack</p>
	<p>6. Assemble brackets with a pair of M8 coach bolts, washers and nuts</p> <p>Only tighten 2-3 turns</p>
	<p>7. Place the bracket over the BASE RACK dovetail. Tighten to specified torque</p>



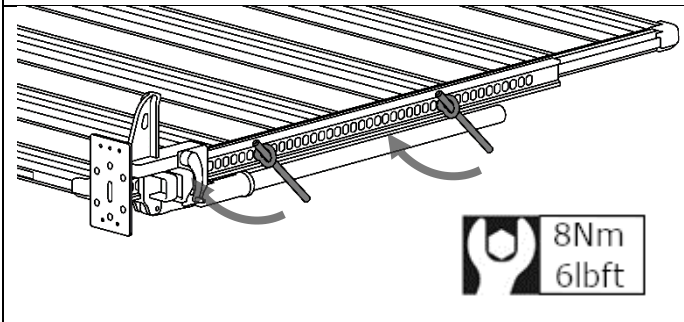
8. Fit the rubber bushes over the M10 nuts



9. Slide the handle holder over the jack

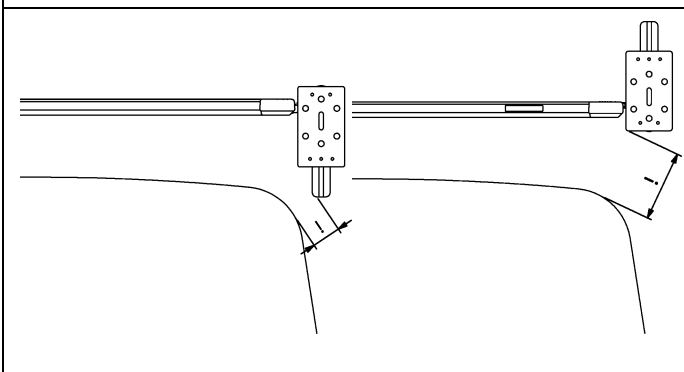


10. Slide the jack over the bolts and secure with M10 washers and eye nuts



11. Tighten the eye nuts to approx. 8Nm/6lbft

Note: an object such as a screwdriver may assist tightening



12. Check clearances

- Check clearance distance to vehicle panels
- Check door opening
- Check window opening