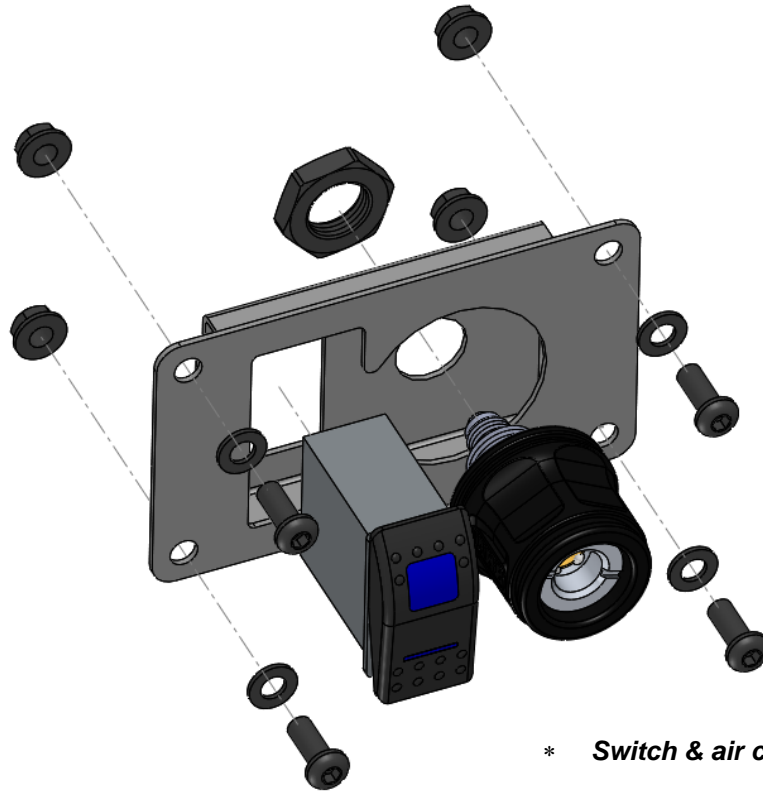




FITTING INSTRUCTIONS

Part number/description: 3501050 – Universal switch coupling bracket



* Switch & air coupling sold separately

Kit contents:

| PART NO. | DESCRIPTION | QTY |
|----------|-------------------------|-----|
| 3781968 | CUT TEMPLATE | 1 |
| 4584329 | WASHER FLAT M6 | 4 |
| 6151173 | NUT FLANGE M6 | 4 |
| 6151459 | SCREW BUTTON HEAD M6x16 | 4 |



Warning: Drilling operations can result in flying metal debris, safety glasses should be worn.

Fitment:

- Mark the cut out on desired interior panel using the supplied cutting template. Mark the centre of the mount holes.
- Cut the hole for the bracket kit using an oscillating/multi tool
- Drill 7mm holes for the bolts.
- Fit fasteners, switch and air coupling as shown above.

ARB 4x4 ACCESSORIES

Corporate Head Office

42-44 Garden St
Kilsyth, Victoria
AUSTRALIA 3137

Tel: +61 (3) 9761 6622
Fax: +61 (3) 9761 6807

Australian enquiries
North & South American enquiries
Other international enquiries

sales@arb.com.au
sales@arbusa.com
exports@arb.com.au

www.arb.com.au