

Please read this operating and service guide carefully before starting your ARB Fridge Freezer for the first time. This guide should be kept in a safe place together with your ARB warranty and service guide and a copy of your receipt.

CONTENTS

1	INTRODUCTION	3
2	SUPPLY DETAILS	3
3	SAFETY INSTRUCTIONS	4
	3.1 General safety	4
	3.2 Safe operation of the fridge freezer	4
4	INTRODUCTION TO YOUR ARB FRIDGE FREEZER	5
5	INSTALLATION	6
	5.1 General installation	6
	5.2 Installing in a vehicle	7
	5.2.1 Permanent mounting	7
	5.2.2 Temporary mounting	7
6	OPERATION	9
	6.1 Before use	9
	6.2 Carrying your fridge freezer	9
	6.3 Opening your fridge freezer	9
	6.4 Connecting your fridge freezer	11
	6.4.1 Connecting to 12/24V DC	11
	6.4.2 12/24 V DC wiring requirements	11
	6.4.3 12/24V DC power socket	12
	6.4.4 Connecting to 100-240V AC	13
	6.4.5 Connecting to an engine driven generator	13
	6.5 Cable clips	14
	6.6 Energy saving advice	14
	6.7 Lid removal	15
	6.8 Turning the fridge freezer on or off	16
	6.9 Setting the target cabinet temperature	16
	6.10 Changing between °C and °F	16
	6.11 Using the battery monitor	17
	6.12 Making use of the basket	18
	6.13 Basket divider	19
	6.14 Drain plug	19
	6.15 Defrosting your fridge freezer	20
	6.16 Replacing the cabinet fuse	20
	6.17 Replacing the plug fuse (12/24V)	21
	6.18 Replacing the light bulb	22
	6.19 Storing your fridge freezer	22
7	CLEANING AND MAINTENANCE	23
8	WARRANTY	23
9	DISPOSAL	23
10	TECHNICAL DATA	24
11	TROUBLESHOOTING	25

1 INTRODUCTION

Congratulations on purchasing an ARB Fridge Freezer. Your ARB Fridge Freezer has been specifically designed for tough off road conditions and its primary purpose is for cooling down food and beverages. It may also be used as a freezer if desired. By following the instructions and guidelines listed in this document, you will ensure that you receive maximum performance and long term reliability out of your new fridge freezer.

Your ARB Fridge Freezer is designed to operate on a 12V DC or 24V DC supply from a vehicle, boat or caravan. It can also be operated from a 100-240V AC mains supply using the inbuilt power inverter.

CAUTION - If you wish to cool medicines, please check if the cooling capacity of the fridge freezer is adequate for the purpose.

2 SUPPLY DETAILS

Your ARB Fridge Freezer has been delivered with the following items. If any of these items have not been included with your fridge freezer, please contact your local ARB Fridge Freezer dealer.

<i>ITEM</i>	<i>QUANTITY</i>
<i>ARB Fridge Freezer</i>	<i>1</i>
<i>Reversible basket</i>	<i>1</i>
<i>Basket divider</i>	<i>1</i>
<i>12/24V power cable</i>	<i>1</i>
<i>100-240V power cable</i>	<i>1</i>
<i>ARB Fridge Freezer operating and service guide</i>	<i>1</i>
<i>ARB Fridge Freezer warranty and service booklet</i>	<i>1</i>

3 SAFETY INSTRUCTIONS

3.1 General safety

For the safety of all people who will use your fridge freezer, ARB recommends that you take note of the following general safety points.

- Always apply the correct voltage to the fridge freezer with the correct polarity.
- Do not connect your fridge freezer to a battery charger, AC/DC converter or rectifier.
- Disconnect the fridge freezer from the battery before using a high-speed battery charger.
- Do not use sharp, abrasive or corrosive materials to clean or defrost the fridge freezer.
- Children should be supervised to ensure they do not play with the fridge freezer.
- This appliance is not intended for use by persons (including children) with reduced physical, sensory or mental capabilities, or lack of experience and knowledge, unless they have been given supervision or instruction concerning use of the appliance by a person responsible for their safety.
- If your power cable is damaged, it must be replaced before the fridge freezer is used.
- Disconnect your fridge freezer from all power supplies before cleaning or maintenance.
- Do not store flammable liquids or gases in or near your fridge freezer.
- Do not open or tamper with the refrigerant circuit.
- Do not remove or modify any of the electrical components.
- Do not store or transport caustic or solvent based material in the fridge freezer.
- Do not use your ARB Fridge Freezer if there are visible signs of damage.
- Only have your fridge freezer serviced by an authorised ARB Fridge Freezer Service Agent.
- Do not store explosive substances such as aerosol cans with a flammable propellant in this appliance.
- This appliance is intended to be used in household and similar such applications such as:
 - Staff Kitchen areas in shops, offices and other working environments.
 - Farm Houses and by clients in hotels, motels and other residential type environments.
 - Bed and breakfast type environments.
 - Catering and similar non-retail applications.

3.2 Safe operation of the fridge freezer

For safe operation of your fridge freezer, ARB recommends that you take note of the following safety points.

- Ensure that there is always sufficient ventilation around the fridge freezer to prevent overheating. Refer to section 5.1 for details.
- Do not touch the internal metal shell of the fridge freezer with a wet hand.
- Do not place your fridge freezer near naked flames or other heat sources (heaters, camp fires, gas ovens, direct sun light etc.).
- Do not fill your fridge freezer cabinet with ice or fluid.
- Do not place electrical devices inside your fridge freezer.
- Protect your fridge freezer from rain and moisture.
- Do not use your fridge freezer if you suspect that the electrical system has been exposed to water.
- Do not use your fridge freezer if it has been immersed in water.

4 INTRODUCTION TO YOUR ARB FRIDGE FREEZER

The key components of your ARB Fridge Freezer are identified below in Figures 1 to 4.

Figure 1 – Front of fridge

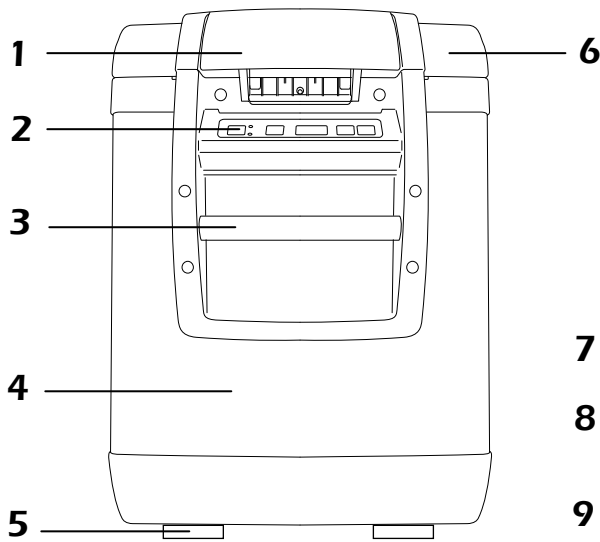


Figure 2 – Rear of fridge

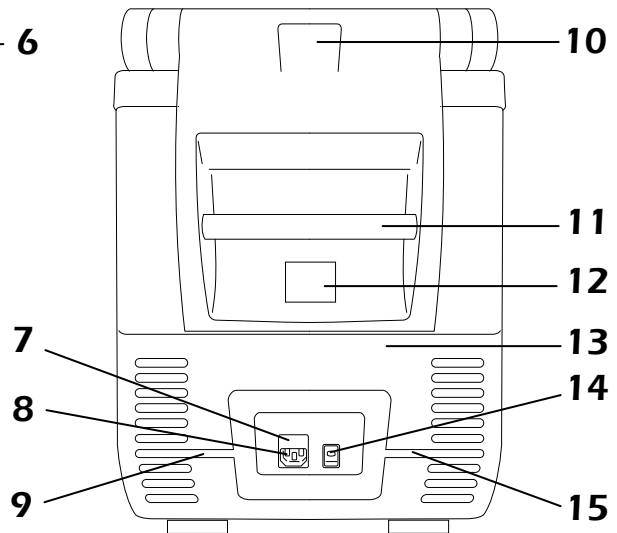
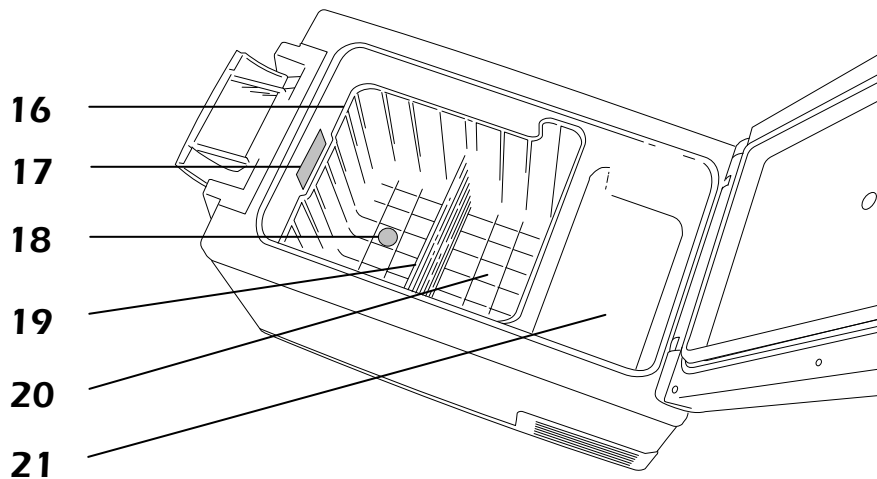


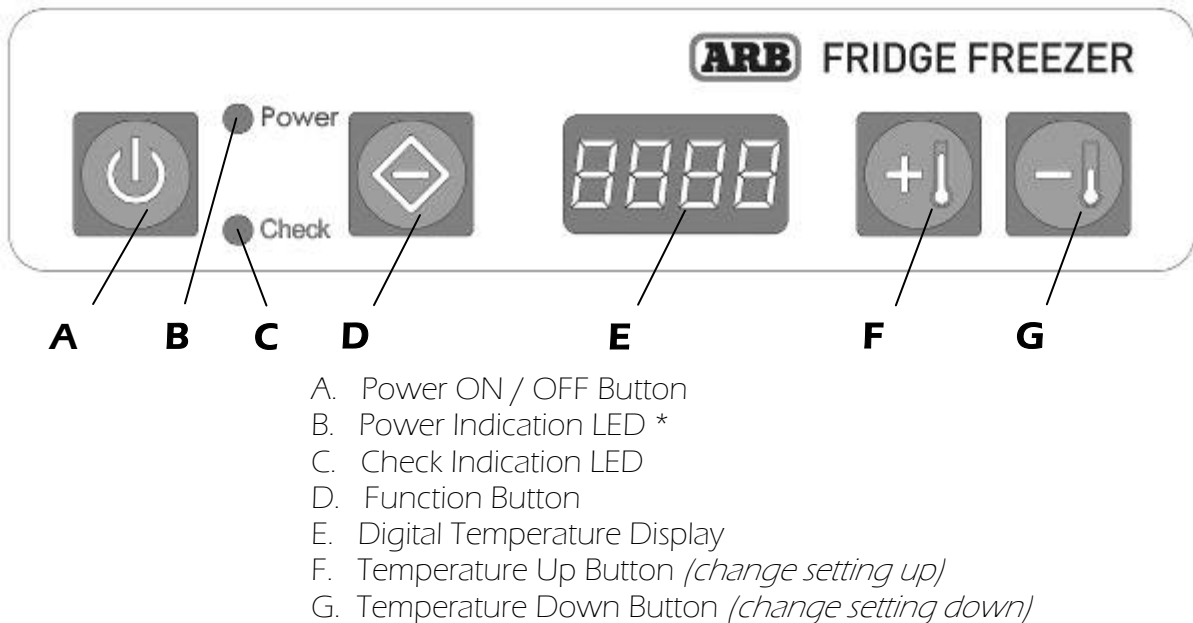
Figure 3 – Interior cabinet



- | | |
|------------------------------------|--|
| 1. Lid latch | 12. Compliance plate and serial number |
| 2. Control panel | 13. Motor surround |
| 3. Front carry handle | 14. 12/24V DC power socket |
| 4. Powdercoated zinc steel cabinet | 15. 12/24V DC cable clip |
| 5. Rubber feet x 4 | 16. Reversible Basket |
| 6. Lid | 17. LED cabinet light |
| 7. Cabinet fuse | 18. Drain plug |
| 8. 100-240V AC power socket | 19. Basket divider |
| 9. 100-240V AC cable clip | 20. Main cooling cabinet |
| 10. Lid stop | 21. Dairy/Fruit cooling cabinet |
| 11. Rear carry handle | |

The dairy/fruit cooling cabinet of your ARB Fridge Freezer is designed to maintain a temperature that is warmer than the main cooling cabinet. This makes it an excellent place to store selected items like dairy products, fruit, vegetables and chocolate.

Figure 4 - Control panel



* The power LED is green when the compressor is running. The power LED is orange when the compressor is not running (eg. when the fridge freezer has reached its target temperature).

5 INSTALLATION

5.1 General installation

The following points should be considered when choosing a location to install your ARB Fridge Freezer.

- A minimum clearance of 50 mm must be maintained on all sides of the fridge freezer.
- Whether the installation is permanent or temporary, the fridge freezer must be attached to secure anchorage points.
- The ideal mounting position for the fridge freezer is on a flat, horizontal surface. If the fridge freezer is subject to sideways angles (eg heel on a boat), it can withstand a sideways angle of 30°.
- Avoid placing the fridge freezer near sharp or hot objects.
- Avoid placing the fridge freezer near loose objects that could fall on the cabinet and obstruct its operation.
- Never operate the fridge freezer near flammable liquids or vapours.
- Avoid turning or storing your fridge freezer on its side.

5.2 Installing in a vehicle

5.2.1 Permanent mounting

Your ARB Fridge Freezer has four threaded inserts in its base that can be used to permanently mount the cabinet to a solid base or fridge slide. One threaded insert is located in the centre of each of the rubber feet. ARB recommends this method of mounting if the fridge freezer is to be permanently mounted. If your fridge freezer will be removed on a regular basis, please refer to section 5.2.2 (temporary mounting).

To permanently mount the fridge freezer:

- Position the fridge freezer on the mounting surface at the desired location and mark the outline of the cabinet.
- Remove the fridge freezer and mark the centre of the cabinet. The centre is shown as point C in Figure 5a.
- Mark and drill four 6.5 mm holes in the mounting surface using the diagram in Figure 5a as a guide.
- To make use of the drain plug, mark and drill one 13 mm hole in the mounting surface at point C as shown in Figure 5a.
- Remove the M6 bolt from the centre of each of the four rubber feet using a hex key as shown in Figure 5b. Ensure that the rubber feet remain in the base of the cabinet.
- Position the fridge freezer on the mounting surface so that the drilled holes line up with the threaded inserts in the cabinet.
- Attach the cabinet to the mounting surface using M6 bolts as shown in figure 5c. Do not exceed the fastener assembly torque of 3.5 Nm (2.5 lbft) when tightening the M6 bolts. ARB recommend apply no permanent thread sealant to the bolts.

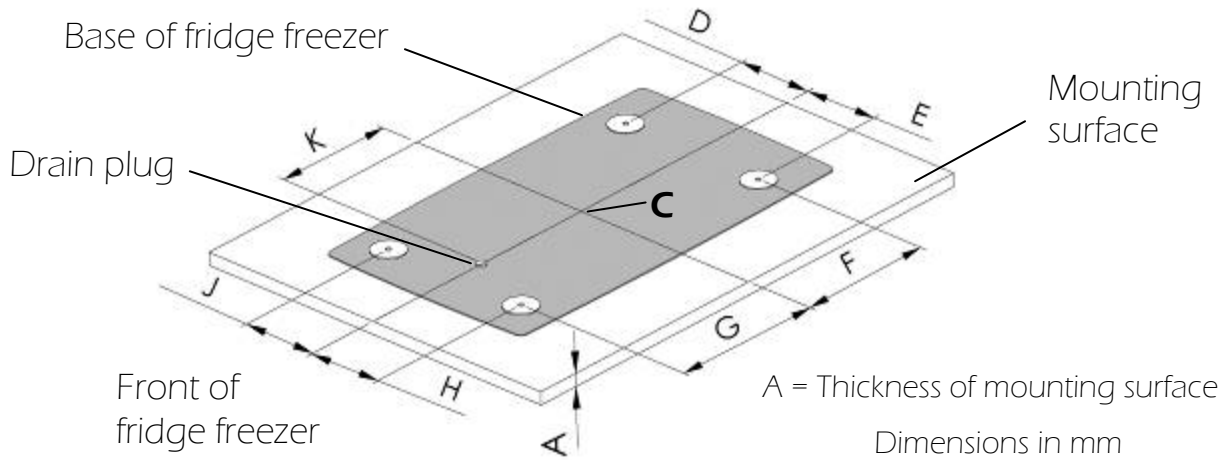
NOTE :

- ***The rubber feet must be fitted between the base of the cabinet and the mounting surface.***
- ***If longer bolts are required, M6 x 1.0 high tensile socket head cap screws with a minimum grade of 8.8 must be used. To avoid damaging electrical components within the fridge, the bolt length must only be increased by the thickness of the mounting surface (dimension 'A' in Figure 5a) plus 8 mm to allow for the recess in the rubber feet.***
- ***When removing the M6 bolts, avoid turning the fridge freezer on its side.***

5.2.2 Temporary mounting

The steel handle at each end of your ARB Fridge Freezer has been engineered to be used as a tiedown point. ARB recommends that the ARB tie down system be used to securely mount the fridge freezer to solid anchorage points.

Figure 5a



Fridge Capacity	D	E	F	G	H	J	K
35/47L (mm/in)	120/4.72	120/4.72	215/8.46	245/9.65	120/4.72	120/4.72	193/7.60
60/78L (mm/in)	155/6.10	155/6.10	285/11.22	315/12.40	155/6.10	155/6.10	277/10.91

Figure 5b

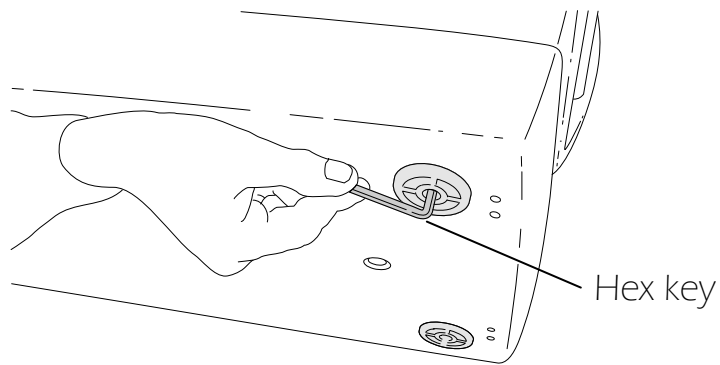
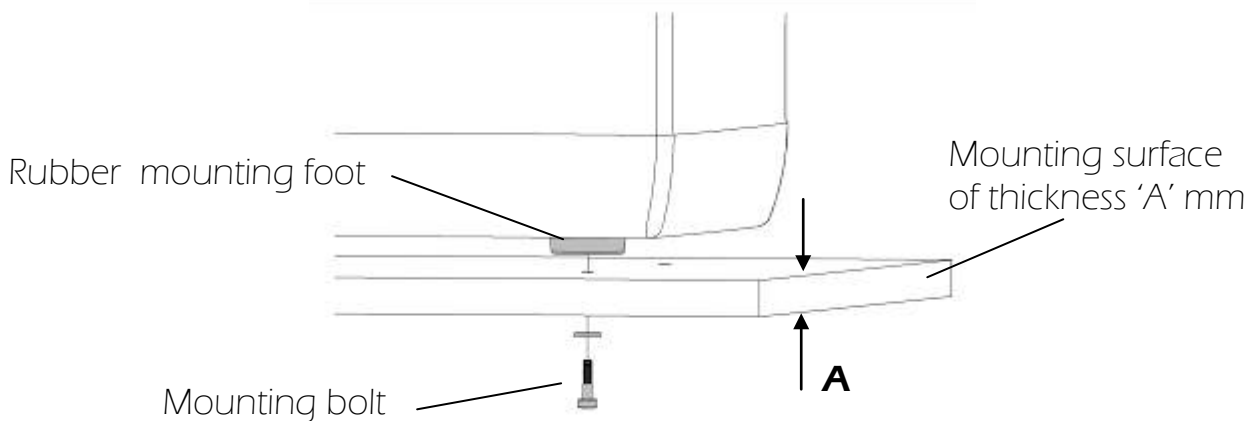


Figure 5c



6 OPERATION

6.1 Before use

Before starting your fridge freezer for the first time, it should be cleaned inside and out with a damp cloth. Please refer to the chapter “Cleaning and maintenance” for further details on maintaining your fridge freezer.

6.2 Carrying your fridge freezer

Your ARB Fridge Freezer is supplied with a powdercoated steel handle at each end of the cabinet. These handles should be used to lift and move the fridge freezer.

WARNING - The lid latch MUST NEVER be used to lift or move the fridge freezer.

CAUTION - The fridge freezer should always be lifted by at least two people.

6.3 Opening your fridge freezer

Your ARB Fridge Freezer has an over-centre lid latch that provides positive pressure between the lid, the cabinet and the lid seal.

To open the fridge freezer lid:

- Place your hand under the latch as shown in Figure 6a.
- Lift the latch up and away from the body of the fridge freezer. The latch will pull away from the fridge freezer in an arc as shown.
- Release the latch once it is clear of the fridge freezer lid. The latch will come to rest clear of the lid as shown in Figure 6b.
- Place your hand under the lid finger grip and lift the lid as shown in Figure 6c.

To close the fridge freezer lid:

- Position the latch on the latch stops as shown in Figure 6d.
- Press the latch towards the body of the fridge freezer until the latch locks into place as shown in Figure 6e. The latch will make a crisp clicking noise as it closes.
- The latch is now closed.

Figure 6a

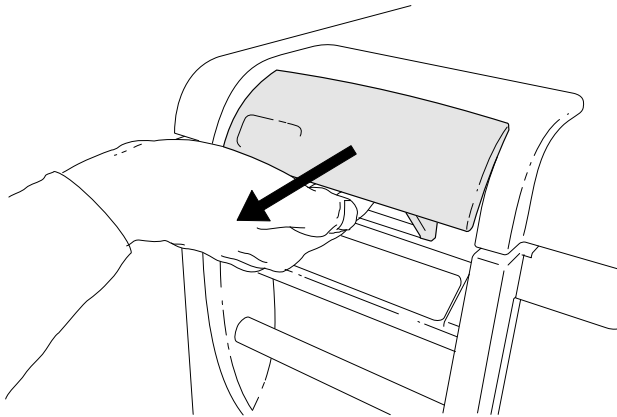


Figure 6b

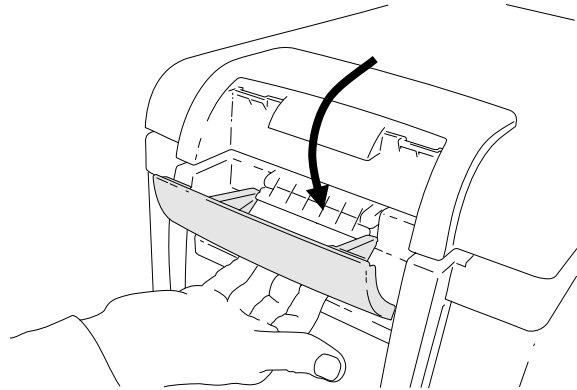


Figure 6c

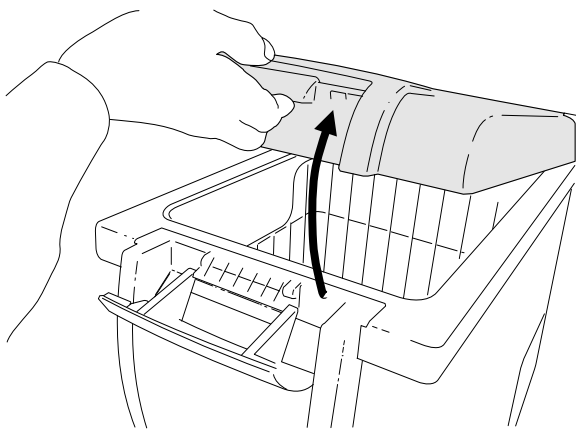


Figure 6d

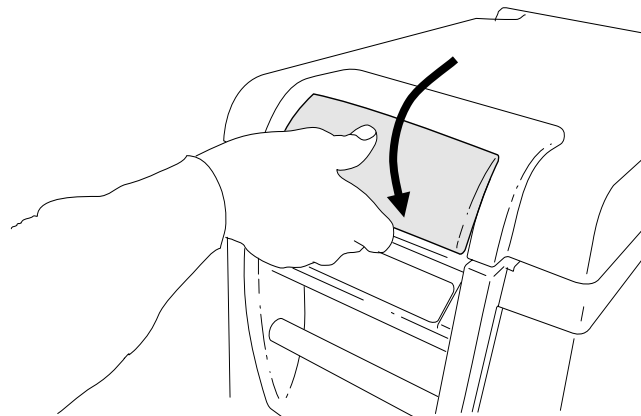
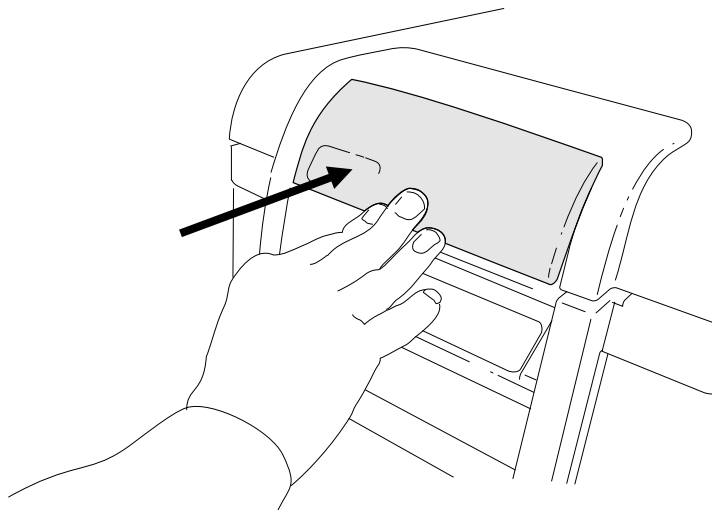


Figure 6e



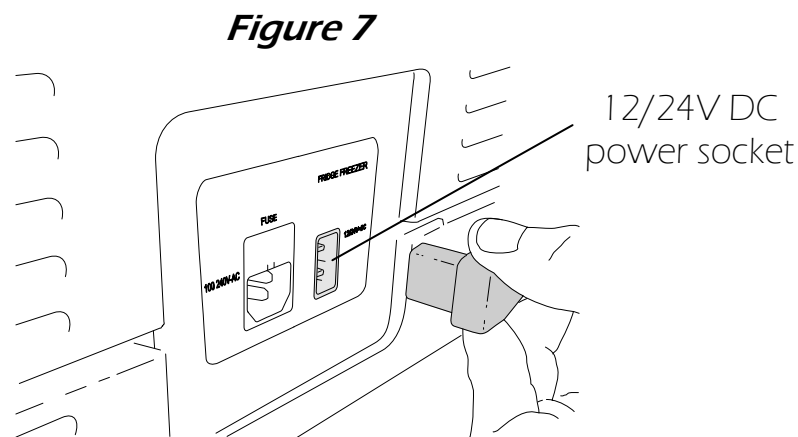
6.4 Connecting your fridge freezer

6.4.1 Connecting to 12/24V DC

Your ARB Fridge Freezer can be operated on either 12V or 24V DC. Your fridge freezer is fitted with a control circuit to prevent polarity reversal and possible short-circuiting when the unit is connected to a battery.

To connect your fridge freezer to a 12 V or 24 V DC supply:

- Plug the 12/24V power lead into the DC power socket on the back panel of the fridge freezer as shown in Figure 7.
- Connect the free end of the power lead to a 12 V or 24 V DC supply.



6.4.2 12/24 V DC wiring requirements

To ensure optimum performance of your ARB Fridge Freezer, it is important that your wiring system is capable of carrying the required load. The accessories wiring system in many vehicles is not adequate for such a task.

ARB recommends that a dedicated wiring circuit be installed to power the fridge freezer. This circuit should be as short as possible and be connected directly to the power supply via a 15 Amp fuse.

For an automotive or marine installation, ARB recommends that the wiring circuit be connected to an isolated power supply like an auxiliary battery system. This will prevent discharge of the main starting battery.

For cable lengths up to 6m, ARB recommends a minimum cable diameter of 6 mm.

For cable lengths greater than 6m, ARB recommends that you consult a qualified technician for advice on the correct cable diameter.

6.4.3 12/24V DC power socket

The plug on your 12/24V DC power lead has a removable adaptor collar. With the collar in place as shown in Figure 8a, this plug will fit into a conventional vehicle accessories power socket (cigarette lighter). With the adaptor collar removed as shown in Figure 8b, this plug will fit into an ARB 2 pole auxiliary power socket.

Figure 8a

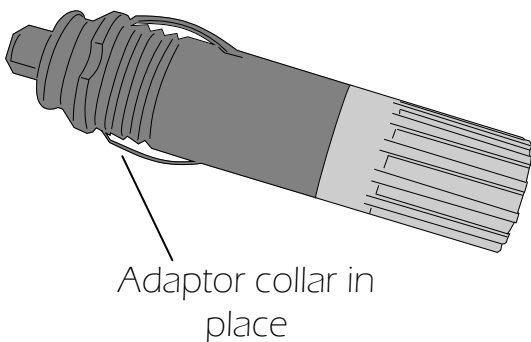
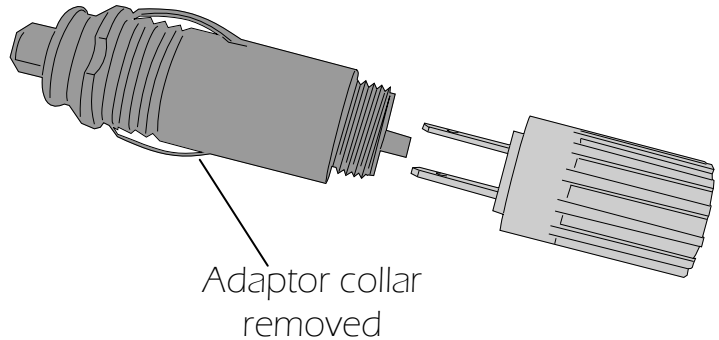


Figure 8b



ARB highly recommends that this 2 pole connection be used for all 12V DC and 24V DC connections of a fridge freezer. This will provide a positive and secure connection between your power source and your fridge freezer.

The following points should be considered when choosing a location for your fridge freezer auxiliary power socket.

- Position the power socket as close to the fridge freezer as is practical.
- Position the power socket in a convenient location that will allow the user to easily connect and disconnect the plug from the socket.
- Position the power socket in a protected location away from dust and moisture.
- Position the socket high in the vehicle to prevent it from becoming wet should the vehicle ingest water.

NOTE – If the plug or adaptor collar is removed and the fridge freezer is hard wired into a 12V or 24V DC circuit, a 15 Amp inline fuse must be included in the circuit.

6.4.4 Connecting to 100-240V AC

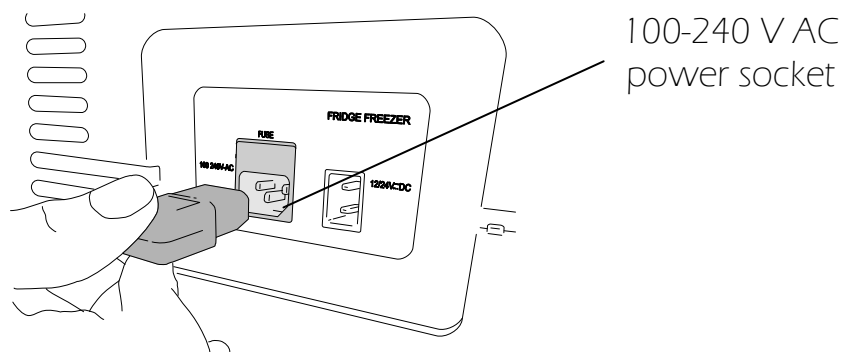
Your ARB Fridge Freezer can be operated on an AC voltage of 100 – 240V. The fridge freezer has a priority circuit which gives priority to mains AC power over DC power. If the fridge freezer is connected to both AC and DC power, the unit will run on the AC supply.

NOTE: The red LED may light up briefly when the supply voltage is switched between AC and DC.

To connect your fridge freezer to 100 – 240 V AC supply:

- Plug the 100-240 V power lead into the AC power socket on the back panel of the fridge freezer as shown in Figure 9.
- Connect the free end of the power lead to a 100 – 240 V AC supply.

Figure 9



CAUTION - Never handle the plugs, leads or switches with wet hands or while standing on a wet surface.

CAUTION - If you are operating your fridge freezer from a 100-240 V AC supply, a residual current circuit breaker must be installed in the circuit. ARB advises seeking advice from a trained technician.

6.4.5 Connecting to an engine driven generator

Please take note of the following points before connecting your ARB Fridge Freezer to an engine driven generator.

- The generator must be fitted with an automatic voltage regulator. It must supply a standard, pure sine wave AC voltage, without fluctuation in voltage or frequency (eg 120 VAC~60Hz or 240 VAC~50Hz).
- When using the DC output from your generator, a battery of correct voltage (12 or 24V) must be connected between the generator and the fridge freezer.
- The fridge freezer should be turned off when starting and stopping your generator.

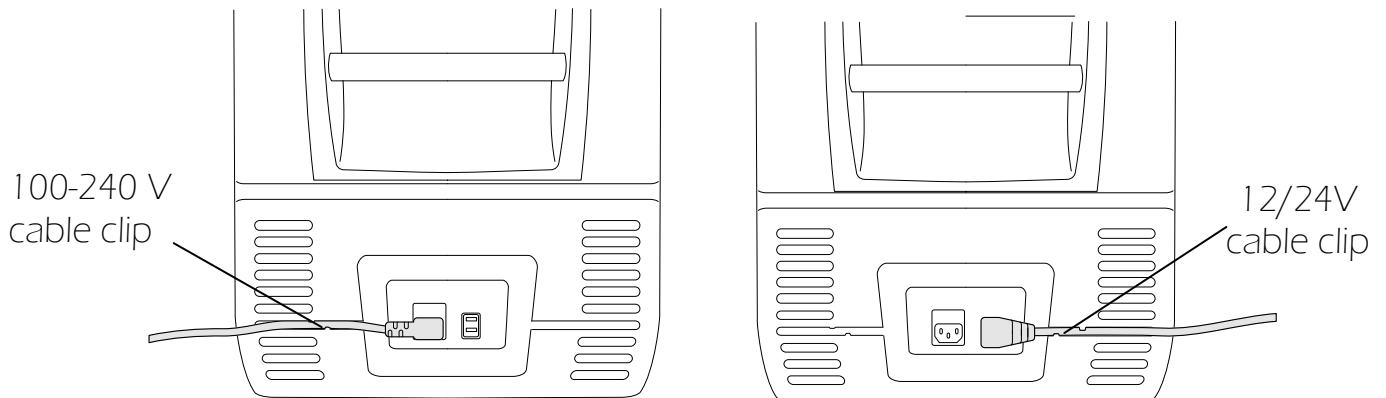
CAUTION – Some engine driven generators are not suitable for powering your fridge freezer.

6.5 Cable clips

Your ARB Fridge Freezer has clips on the rear panel of the unit to retain both the 12/24V DC and 100-240V AC cables. The cable clips are correctly sized for the power cables supplied with your fridge freezer. The left hand cable clip shown in Figure 10a is for the 100-240V AC cable. The right hand clip is for the 12/24V DC cable as shown in Figure 10b.

Figure 10a

Figure 10b



To install the cable into the cable clips:

- Plug the power cable into the correct power socket. Refer to section 6.4.
- Starting at the end closest to the plug, press the cable into the cable clips using a rotating action. The rotating action will help slide the cable under the clips.

NOTE - Care should be taken when installing and removing the cables to prevent damaging the body of the fridge freezer or the power cables.

WARNING - The cable clips are sized for the cables supplied with your fridge freezer. ARB does not recommend using other cables in these cable clips.

6.6 Energy saving advice

To help you achieve the optimum performance from your fridge freezer, ARB makes the following recommendations.

- Place the fridge freezer in a well ventilated area which is protected from direct sunlight.
- Try to minimise the frequency with which the fridge freezer is opened.
- Do not leave the lid open for longer than necessary.
- Avoid setting the target temperature unnecessarily low.
- Defrost the fridge once ice starts to form.

6.7 Lid removal

The lid on your ARB Fridge Freezer can be quickly and easily removed and refitted.

To remove the fridge freezer lid:

- Open the lid so that the internal ridge of the lid is clear of the fridge freezer cabinet as shown in Figure 11a. The procedure for opening the fridge freezer lid is described in section 6.3.
- Grip the lid firmly with both hands.
- Pull the lid towards the front of the fridge as shown in Figure 11b. The hinge pins will release and the lid can be removed from the fridge freezer cabinet.

Figure 11a

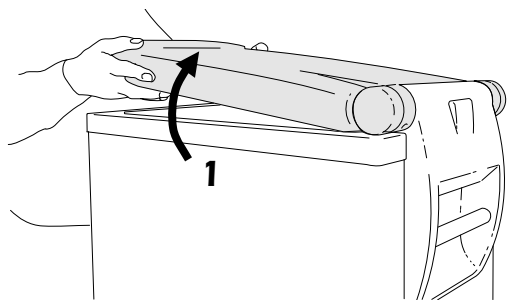
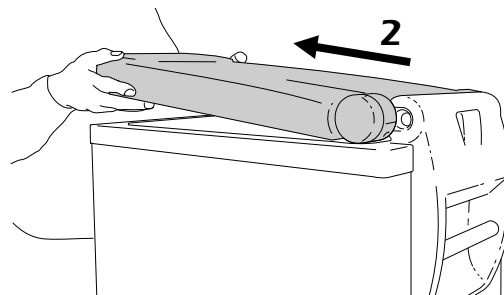


Figure 11b



HINT - If you are finding it difficult to remove the lid, apply a small sideways force to the lid as you pull it forward. This will help to dislodge one of the hinge pins.

To refit the fridge freezer lid:

- Position the lid on top of the cabinet with the hinge pins lined up with the pin recesses as shown in figure 11c. The lid must be slightly inclined to ensure that the internal ridge of the lid is clear of the fridge freezer cabinet.
- Push the lid towards the back of the cabinet so that the hinge pins slide into the recesses as shown in Figure 11d.
- The hinge pins will come to rest in the recesses with a crisp click.
- Open and close the lid to ensure that both hinge pins are correctly seated.
- Close the latch by following the steps described in section 6.3.

Figure 11c

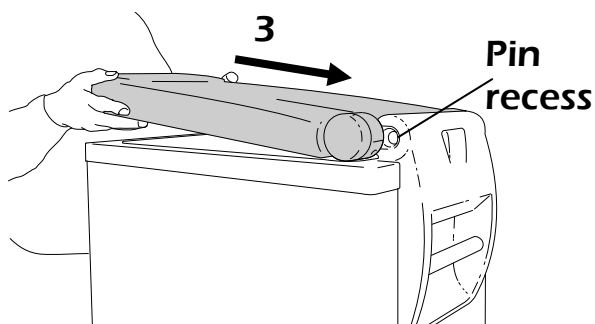
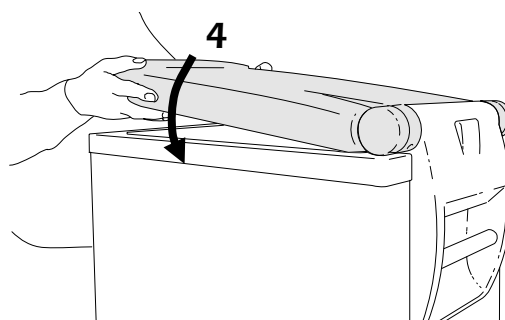


Figure 11d



6.8 Turning the fridge freezer on or off


To turn your ARB Fridge Freezer on:

Press and hold  for between two and three seconds.

- When the fridge freezer is on, the power LED will light up green.
- The display will show the current cabinet temperature.





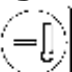
NOTE - The current cabinet temperature is a reading of the temperature at the centre of the cabinet. The temperature at other areas of the cabinet can deviate from this temperature.

To turn the fridge freezer off:

- Press and hold  for between two and three seconds.
- When the fridge freezer is off, the power LED and the display will go blank.

6.9 Setting the target cabinet temperature

To set the target cabinet temperature of your ARB Fridge Freezer:



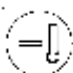
- Turn the fridge freezer on.
- Press  once to display current cabinet target temperature.
- Press  to increase the target temperature by one degree.
- Press  to decrease the target temperature by one degree.
- Continue pressing  or  until the desired target cabinet temperature is reached.
- After 5 to 6 seconds of inactivity, the display will flash twice and return to displaying the current cabinet temperature.

NOTE - When the target temperature is reached, the compressor will stop running and the Power LED will change to orange.

6.10 Changing between °C and °F

Your ARB Fridge Freezer is capable of displaying temperature in either degrees Celsius (°C) or degrees Fahrenheit (°F.)

To change the display between °C and °F:

- Turn the fridge freezer on.
- Press  twice to display current temperature unit setting.
- Press  or  to change between °C and °F.
- After 5 to 6 seconds of inactivity, the display will flash twice and return to displaying the current cabinet temperature.

6.11 Using the battery monitor

Your ARB Fridge Freezer is fitted with a battery monitor to control the level of discharge of your battery. The battery monitor has three settings; HIGH, MEDIUM and LOW. When set to HIGH, the battery monitor will provide maximum protection for the battery against excessive discharging. When set to LOW, the battery monitor will allow maximum use of the energy stored in the battery. Table 1 shows the voltage cutout levels for the three battery monitor settings. The factory setting is MEDIUM.

If your fridge freezer can operate without the vehicle ignition being on, the battery monitor will cause the unit to switch off as soon as the supply voltage falls below the set level. The fridge freezer will automatically restart once the restart voltage is reached.

NOTE - When the battery monitor is active, the cooling unit (including compressor) will not run. The power LED on the control panel will be OFF and the check LED will flash RED. The cooling unit will not restart until the voltage level of the battery reaches the restart voltage listed in Table 1.

Table 1




	BATTERY MONITOR MODE		
	LOW	MED	HIGH
Switch off voltage – 12V DC	10.1V	11.4V	11.8V
Restart voltage – 12V DC	11.1V	12.2V	12.6V
Switch off voltage – 24V DC	21.5V	24.1V	24.6V
Restart voltage – 24V DC	23.0V	25.3V	26.2V

If your fridge freezer is connected to the starting battery on a 12/24V DC system, ARB recommends that the battery monitor level be set to HIGH/MEDIUM.

If your fridge freezer is connected to an auxiliary battery on a 12/24V DC system, ARB recommends that the battery monitor level be set to LOW.

NOTE - ARB recommends that the battery be charged once the battery monitor has been triggered. ARB also recommends that all non essential electrical equipment that draws power from the same source as the fridge freezer be turned off until the battery is fully charged.

To change the battery protection level:

- Turn the fridge freezer on.
- Press  three times to display current battery protection setting.
- Press  or  to change the battery protection voltage between High (HI), Medium (nEd) and Low (Lo).
- After 5 to 6 seconds of inactivity, the display will flash twice and return to displaying the current cabinet temperature.



6.12 Making use of the basket

Your ARB Fridge Freezer is supplied with a reversible wire basket that helps to protect the internal walls of the fridge freezer cabinet. The basket can be installed with the high side of the basket against the front of the fridge as shown in Figure 12a. This allows long items to be laid across the top section of the fridge freezer cabinet. The basket can be repositioned so that the high side of the basket is in the centre of the cabinet as shown in Figure 12b. This provides a full height divider between the main cooling cabinet and the dairy/fruit cabinet.

Figure 12a

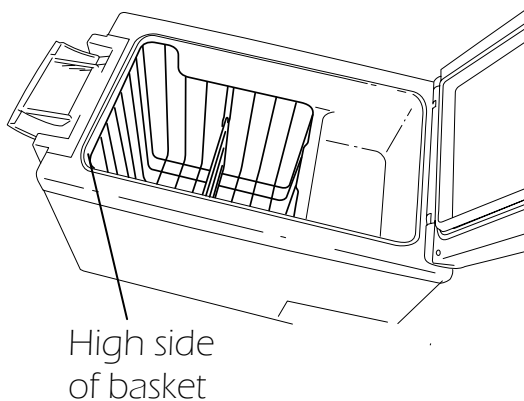
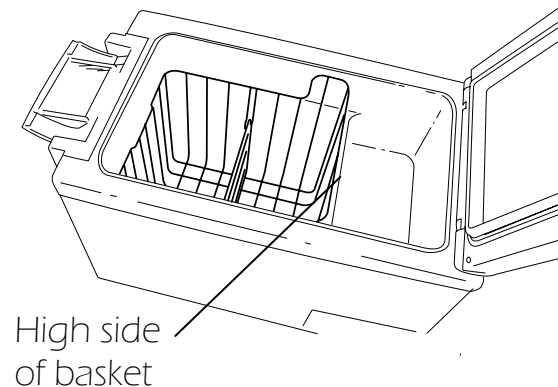


Figure 12b



To remove the basket from the cabinet:

- Lift the basket vertically out of the fridge freezer cabinet. Some North American models have a fixed basket. To reverse such baskets, remove the fastener and replace when basket is repositioned.

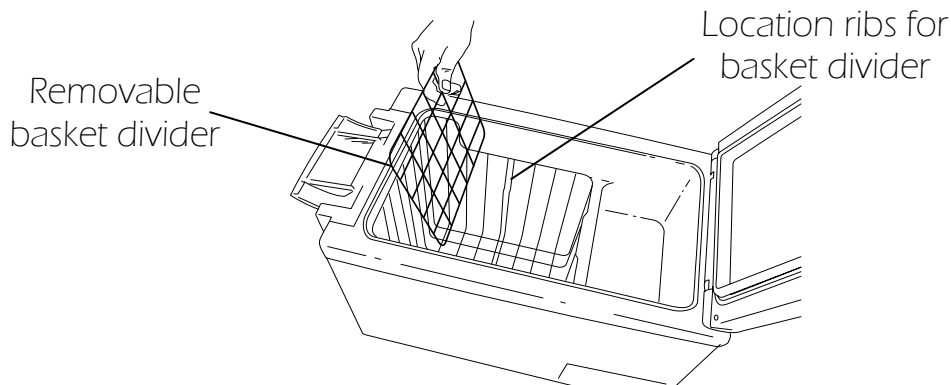
To reinstall the basket into the cabinet:

- Slide the basket down into the cabinet of the fridge freezer. The basket is correctly positioned when its base is in contact with the base of the fridge freezer cabinet.

6.13 Basket divider

Your ARB Fridge Freezer is supplied with a removable basket divider. This divider can be easily removed by lifting it vertically as shown in Figure 13. When refitted, it is important that the basket divider is located between the ribs on the sides of the wire basket. For North American models with a fixed divider, the divider must not be detached from the basket.

Figure 13



6.14 Drain plug

Your ARB Fridge Freezer has a removable drain plug in the base of the cabinet as shown in Figure 14. The drain plug can be removed to drain liquid from the cabinet of the fridge freezer.

Figure 14



To remove the drain plug:

- Open the lid of the fridge freezer
- Grip the drain plug with your fingers
- Gently lift the drain plug away from the base of the cabinet.

To refit the drain plug:

- Open the lid of the fridge freezer
- Locate the tip of the drain plug in the drain
- Apply gentle pressure to the drain plug so that it slides into the drain. The drain plug is correctly located when the lip of the drain plug makes full contact with the base of the cabinet.

NOTE - It is important that the drain plug is refitted before the fridge freezer is run for an extended period of time. Failure to do this will result in a reduction in performance.

6.15 Defrosting your fridge freezer

From time to time, ice may form on the inside of your ARB Fridge Freezer. This can reduce both its internal capacity and its thermal efficiency. ARB recommends that you defrost your fridge freezer on a regular basis.

To defrost your ARB Fridge Freezer:

- Remove the contents of the fridge freezer.
- Turn the fridge freezer off.
- Open the lid so that the ambient temperature air will cause the ice to melt.
- Remove the drain plug and allow any water to drain from the cabinet.
- Wipe the cabinet with a soft cloth to remove any remaining water.

WARNING: Never use hard or pointed objects to defrost the fridge freezer or to loosen objects that have become frozen in place.

6.16 Replacing the cabinet fuse

Your fridge freezer is equipped with a fuse that is located in the rear of the cabinet.

CAUTION – Disconnect the fridge freezer from all power sources before replacing the cabinet fuse.

To replace the cabinet fuse:

- Remove the AC and DC power leads from the power sockets.
- Remove the fuse insert from the rear panel of the fridge freezer as shown in 15a. A small flat blade screwdriver may be required to help pry the insert away from its housing.
- Replace the defective fuse with a new fuse that has the same rating. The correct rating for the fuse is 4A, specified as: F4L250V. Refer to Figure 15b.
- Replace the fuse insert back into its housing.

Figure 15a

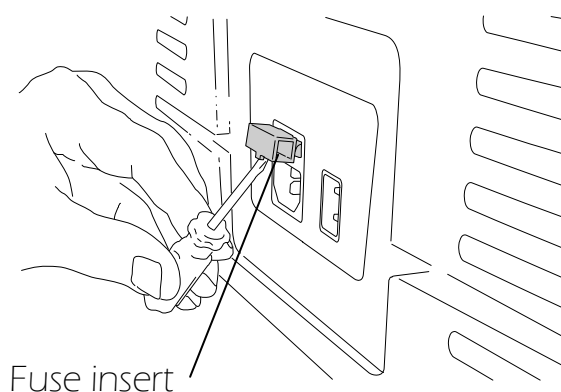
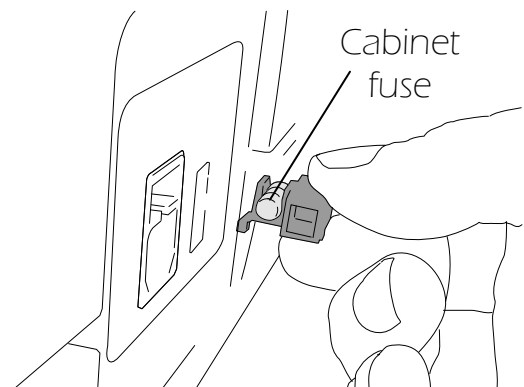


Figure 15b



6.17 Replacing the plug fuse (12/24V)

Your fridge freezer is equipped with a fuse that is located in the 12/24V DC plug.

CAUTION – Disconnect the fridge freezer from all power sources before replacing the plug fuse.

To replace the plug fuse:

- Separate and remove the top housing from the body of the plug as shown in Figure 16a.
- Replace the defective fuse with a new fuse that has the same rating as shown in Figure 16b. The correct rating for the fuse is 3AG 15 Amp.
- Reassemble the plug by reversing the steps listed above.

Figure 16a

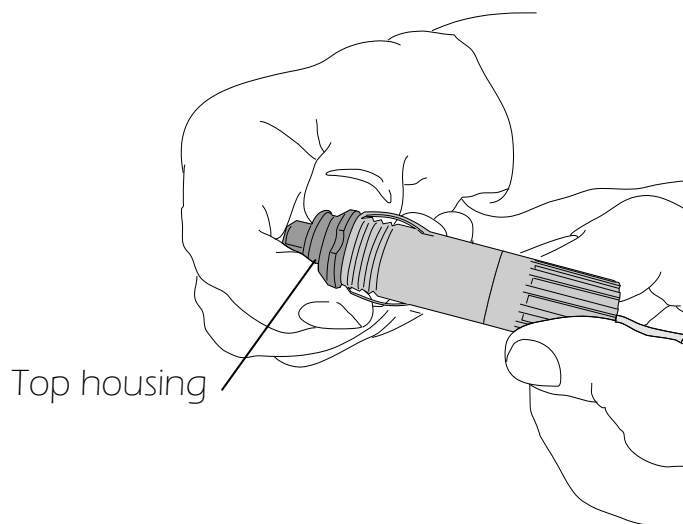
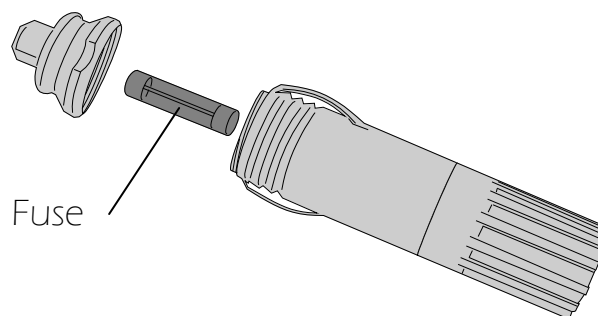


Figure 16b



6.18 Replacing the light bulb

Your fridge freezer is equipped with a long life and low current draw LED light bulb. Under typical operating conditions this bulb should not require replacement. In the unlikely event that you need to replace the light bulb, please follow the procedure outlined below.

CAUTION – Disconnect the fridge freezer from all power sources before replacing the light bulb.

To replace the light bulb:

- If the basket is fitted with its high side against the front of the fridge, it must be removed to provide access to the light housing. Refer to section 6.12 for details.
- Remove the transparent light housing from the internal case of the fridge freezer as shown in Figure 17a. To do this, place your finger under the lip of the light housing and pry it away from the internal case of the fridge freezer.
- Replace the defective light bulb with a new bulb of the same rating as shown in Figure 17b. Replacement bulbs can be purchase from your nearest ARB Fridge Freezer service agent.
- Ensure that the LEDs inside the bulb are facing the transparent face of the light housing.
- Test that the light functions correctly.
- Refit the light housing into the cabinet of the fridge freezer.

Figure 17a

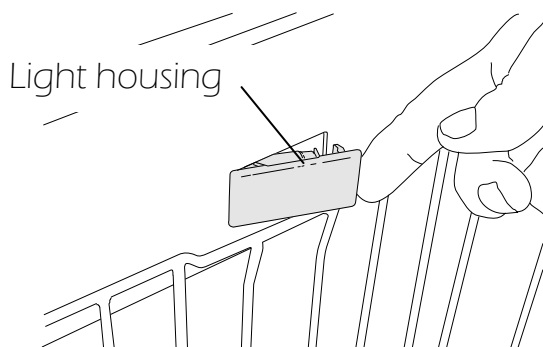
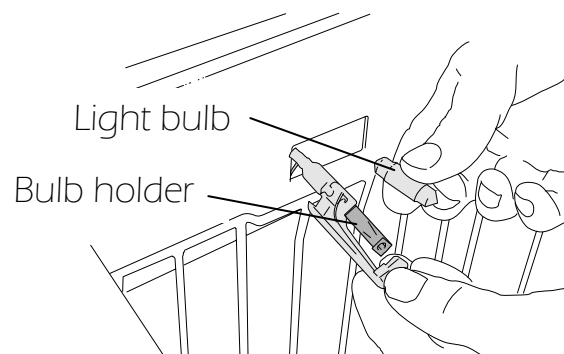


Figure 17b



6.19 Storing your fridge freezer

If you are storing your fridge freezer for an extended period of time, ARB makes the following recommendations.

- Switch the fridge freezer off and disconnect it from all sources of power.
- Remove all items except the basket and basket divider from within the cabinet.
- Leave the lid slightly open to allow airflow through the cabinet.

HINT – To ensure the lid remains open, lift the lid and place the latch on top of the cabinet before gently lowering the lid onto the latch. For additional ventilation, remove the drain plug

7 CLEANING AND MAINTENANCE

To clean the inside or outside of the fridge freezer, use a damp cloth and warm water containing a mild non-abrasive household detergent.

If your fridge freezer is operated in dusty conditions, ARB recommends that you clean the outside surfaces on a regular basis to prevent the build up of dirt and grit. In particular, ARB recommends that you routinely clean around the hinge mechanisms and the motor surround. To clean around the motor surround, ARB recommends placing the fridge freezer in a well ventilated area and using a vacuum cleaner or a gentle stream of compressed air.

WARNING - Under no circumstances is the motor surround to be removed.

Please take note of the following points before cleaning your fridge freezer.

- Always turn off power and remove the plugs from the fridge freezer before cleaning or servicing the unit.
- Never use hard objects or abrasive cleaning agents to clean the fridge freezer.
- Do not use brushes, scouring pads or hard or pointed tools to defrost the fridge freezer.
- Do not clean the fridge freezer under running water or with a high pressure washer.

8 WARRANTY

Your ARB Fridge Freezer is covered by a 3 year warranty. Please refer to your copy of the ARB Fridge Freezer warranty and service guide for details.

The following documents must be presented for repair and warranty processing.

- A copy of the receipt with purchase date.
- A completed ARB Fridge Freezer warranty claim form with the reason for the claim or a description of the fault.

9 DISPOSAL

Please place the packaging material in the appropriate recycling waste bins where possible.

If you wish to finally dispose of your fridge freezer, ask your local recycling center or authorised ARB Fridge Freezer dealer for details about how to do this in accordance with the applicable disposal regulation.

10 TECHNICAL DATA

Overall capacity – Litre (quarts)	35 (37)	47 (50)	60 (63)	78 (82)
Type	10800020	10800010	10800030	10800040
Category	1	1	1	1
Annual Energy Consumption [kWh/annum]	93	95	99	111
Climate Class	N,T	N,T	N,T	N,T
Energy Efficiency Index [EEI]	A+	A+	A+	A+
Connection voltage (except North America)	12/24 V DC and 100-240 V AC			
Connection voltage North America	12/24 V DC and 120V AC ~ 60Hz			
Rated current				
- 12V DC	5.0 A	5.1 A	5.3 A	7.3 A
- 24V DC	2.5 A	2.8 A	3.0 A	3.5 A
- 100-240 VAC	0.8 - 0.4 A	1.0 - 0.6 A	1.0 - 0.5 A	1.2 - 0.6 A
- 120 VAC	0.75A	0.9 A	1.0 A	1.1 A
Cooling Capacity	+ 10 °C to -18 °C (+50 °F to 0 °F)			
Ambient Temperature	+16°C to +43°C (+70 °F to +109°F)			
Weight – Nett - Kg (lb)	20 (45)	22 (50)	24 (54)	27 (60)
Noise [dbA]	50	50	50	50
Refrigerant - R134a – g (oz)	42 (1.48)	47 (1.66)	56 (1.98)	63 (2.22)
External Dimensions – mm (in) – Figure 18a				
- H1	428 (16.9)	508 (20.0)	428 (16.9)	508 (20.0)
- W1	380 (15.0)	380 (15.0)	450 (17.7)	450 (17.7)
- D1	705 (27.8)	705 (27.8)	845 (33.3)	845 (33.3)
Internal Dimensions – mm (in) – Figure 18b				
- H2	321 (12.6)	401 (15.8)	321 (12.6)	401 (15.8)
- H3	126 (5.0)	206 (8.1)	126 (5.0)	206 (8.1)
- W2	285 (11.2)	285 (11.2)	355 (14.0)	355 (14.0)
- D2	337 (13.3)	337 (13.3)	477 (18.8)	477 (18.8)
- D3	151 (6.0)	151 (6.0)	151 (6.0)	151 (6.0)

Note: The maximum cooling capacity is 50°C (122°F) below ambient temperature. If the ambient temperature is above 32° (90°F) the minimum temperature cannot be achieved.

Figure 18a

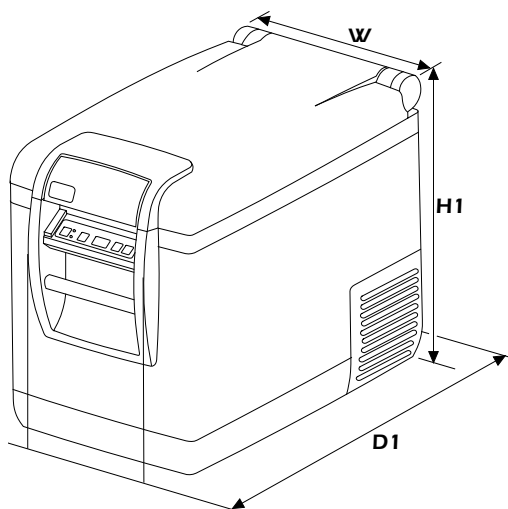
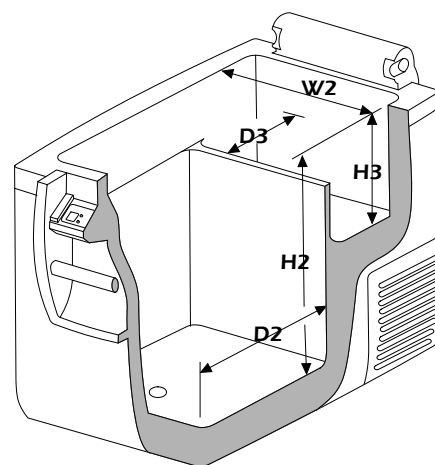


Figure 18b



This device is CFC-free. The coolant circuit contains R134a. Removal or recharge of refrigerant should only be done by an authorised refrigeration mechanic.

11 TROUBLESHOOTING

The following checklist will help to identify the source of the problem with your fridge freezer. If after carrying out this checklist you are still unsure of the cause of the fault, please contact your nearest ARB Fridge Freezer Service Agent.

1. The fridge freezer has stopped operating. The power LED does not glow.

1.1 The power lead connections could be loose or dirty at the fridge freezer or power supply end.

- Check that the fridge freezer power lead connections have not become loose or disconnected.
- Check that the electrical contacts have not become dirty and are preventing full voltage flow to the fridge freezer.

1.2 The fuse in the 12/24V DC cable plug may have blown.

- Check the 12/24V DC cable plug fuse and replace if necessary. Refer to section 6.17.

1.3 The cabinet fuse may have blown.

- Check the cabinet fuse and replace if necessary. Refer to section 6.16.

2. The fridge freezer compressor has stopped operating. The power LED is ORANGE.

2.1 The fridge freezer has reached the desired target cabinet temperature.

- The fridge freezer is operating correctly. No action is required.

3. The fridge freezer has stopped operating. The power LED is OFF and the RED check LED is flashing.

3.1 The internal battery protection system has caused the fridge freezer to switch off because the battery voltage is low.

- The fridge freezer will automatically restart once the restart voltage is reached. Refer to section 6.11 for switch off and restart voltages.

4. The fridge freezer does not cool or has stopped operating. The power LED is green.

4.1 There may be an internal fault within the fridge freezer.

- This can only be repaired by an authorised ARB Fridge Freezer Service Agent.

5. The control panel displays an error message (eg "ERR1", "ERR2" or "ERR3") and the fridge freezer does not cool.

5.1 The fridge freezer may have switched off due to an internal fault.

- This can only be repaired by an authorised ARB Fridge Freezer Service Agent.

6. When connected to a vehicle wiring circuit with the vehicle running, the fridge freezer occasionally shudders or stops operating.

6.1 It is likely that there is loss of voltage occurring within your vehicle wiring.

- This can be confirmed by taking a voltage reading at the end of the power lead for the fridge freezer. If the reading is below 11.8 volts (12VDC) or 24.1 volts (24VDC), you should have the wiring system checked.
- If necessary, upgrade your fridge freezer wiring circuit using the information in section 6.4 as a guide.

7. The fridge freezer stops and starts or runs erratically

7.1 The internal battery protection system may be causing the fridge freezer to switch off because the battery voltage is low.

- Check whether the voltage supply at the fridge freezer plug has dropped below the shut down voltage listed in section 6.1.1. The voltage must be read at the fridge freezer plug as there is normally at least one to two volts lost between the power source (battery) and the fridge freezer plug.
- The vehicle battery may need replacement or the wiring to the fridge freezer may need to be upgraded. Refer to section 6.4 for details on wiring requirements.

8. The fridge freezer is running too long and is not cooling properly.

8.1 Good fridge freezer performance, especially in hot ambient temperatures, is dependent on good air flow around the fridge freezer cooling slots.

- Check that all ventilation slots are unobstructed and there is enough clearance for good airflow around the fridge freezer. Refer to section 5.1 for details.

9. When the fridge freezer lid is open, the LED cabinet light does not come on.

9.1 The fridge freezer may not be connected to a suitable power supply.

- Check the connection between the power source and the fridge freezer.

9.2 The LED light bulb may have blown

- Check the light bulb and replace if necessary. Refer to section 6.18 for details.