

GB

Mounting instructions: Sidebar series GM/GC/BM/BC/RM/RC/RS/RT

# Mercedes Citan



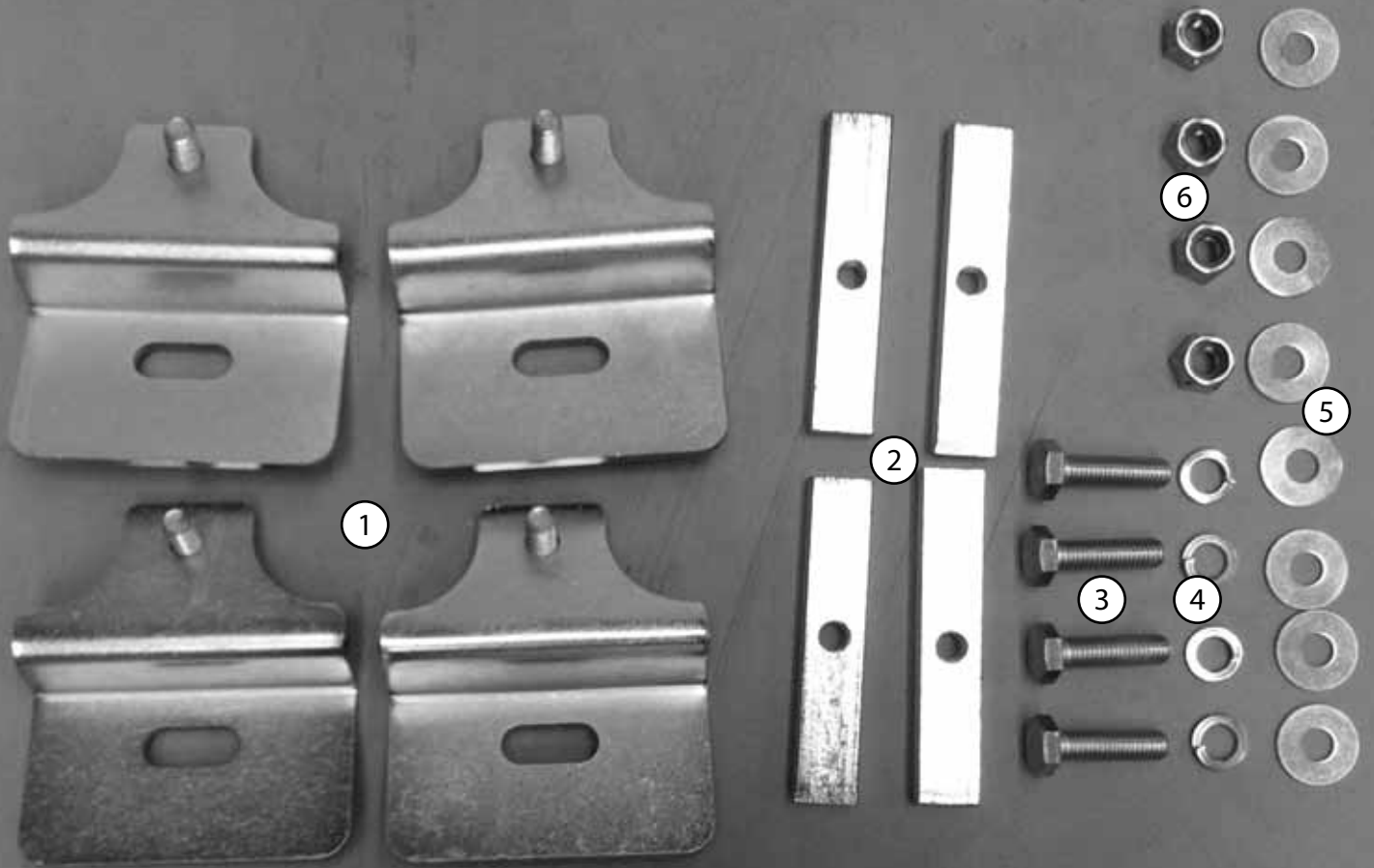
SW17 ( 46Nm )



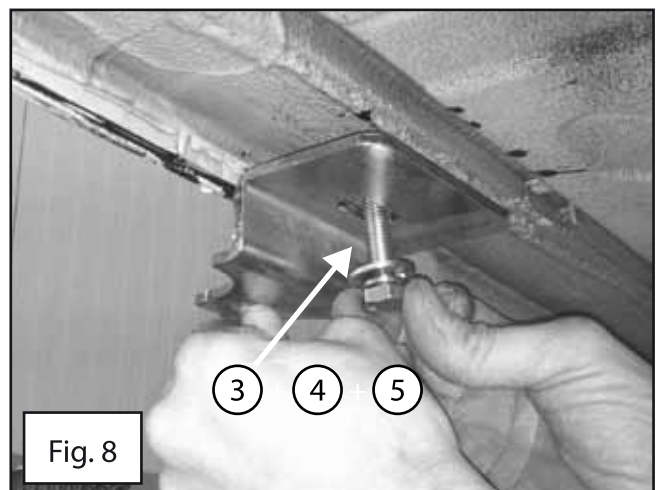
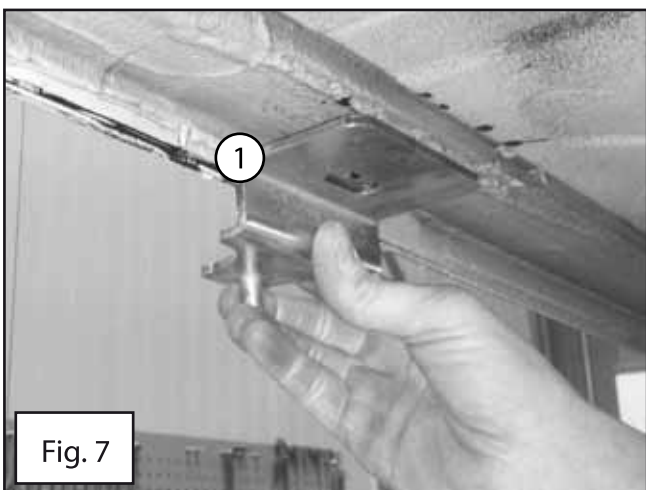
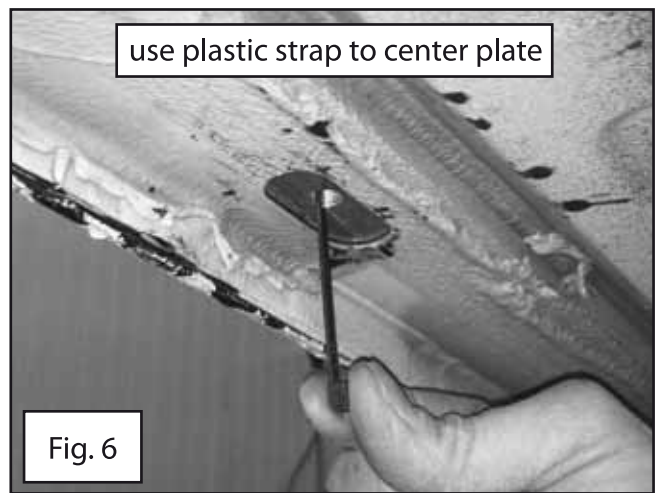
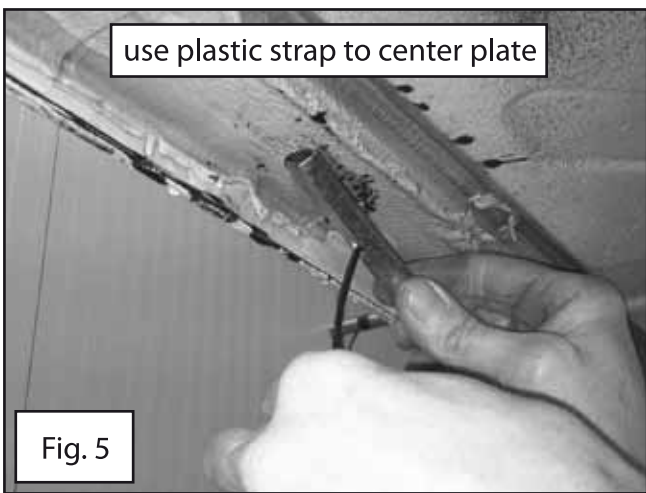
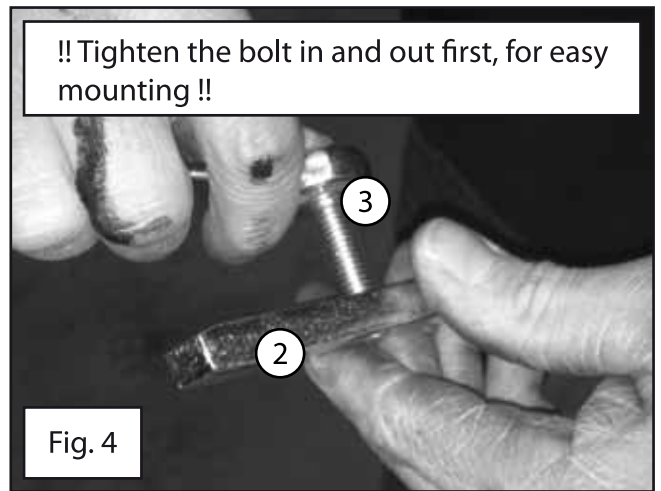
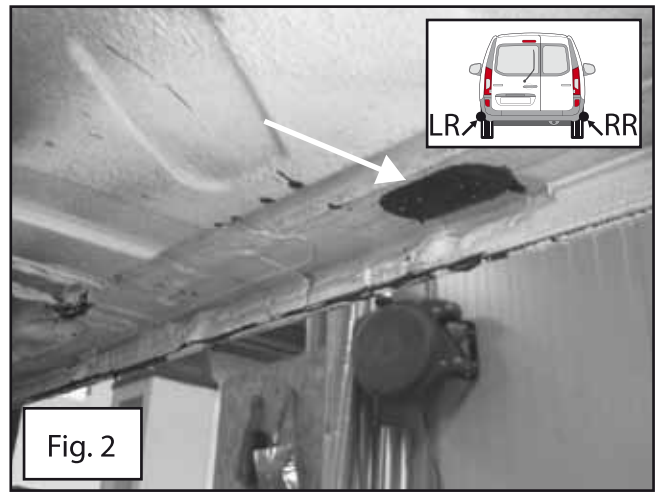
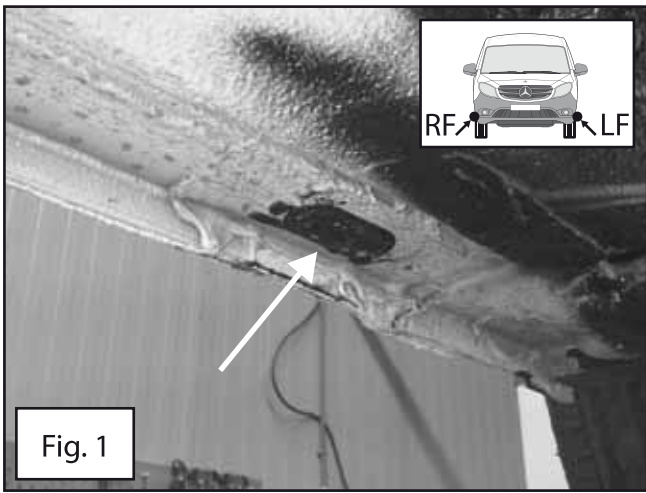
45 Min.

Version: 1.04 October 2013





- 1 Bracket
- 2 M10 Plate
- 3 M10x40
- 4 M10
- 5 M10
- 6 M10



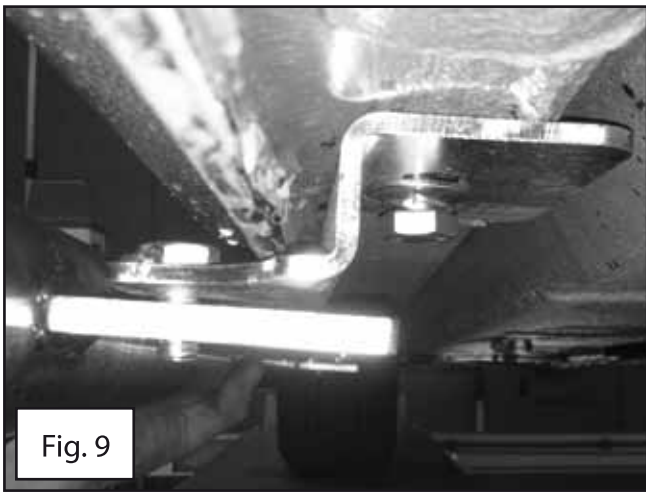


Fig. 9

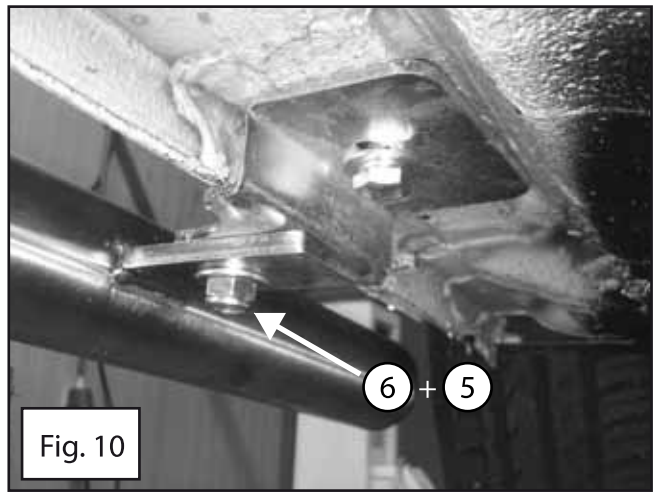


Fig. 10

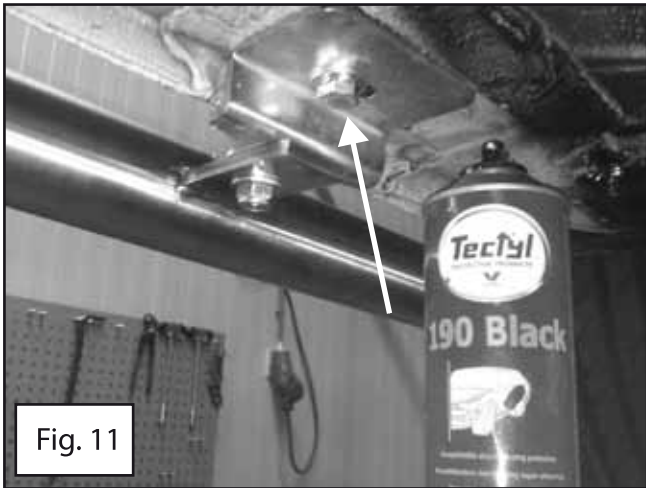


Fig. 11

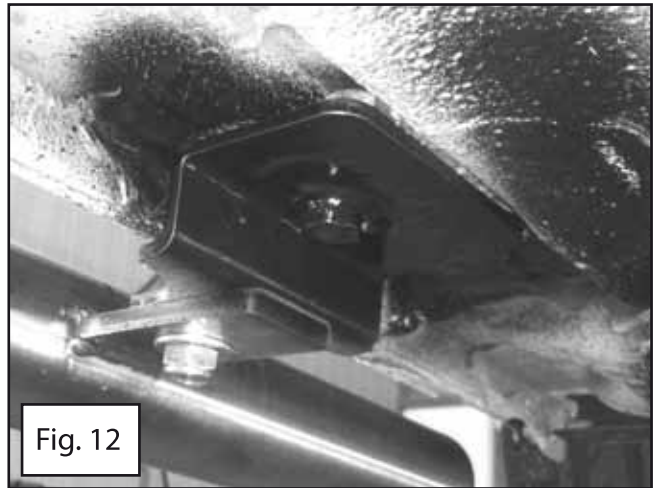


Fig. 12

## ATTENTION

Please spray all bolts and nuts with Tectyl when finished mounting.  
This to prevent parts from rusting and increase longevity